

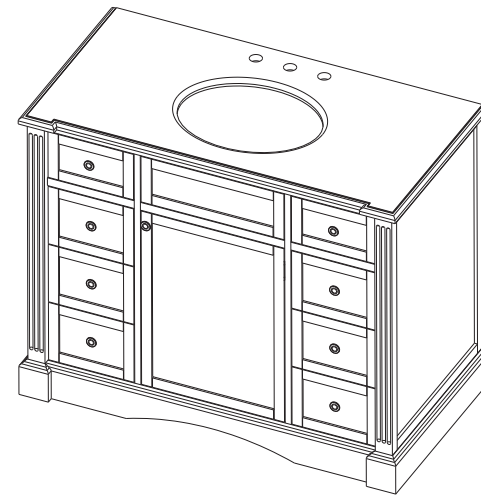
For product related inquiries and support,
please contact:

TONUSA

16770 E. Johnson Drive,
City of Industry, CA 91745-4122
Phone: (626) 961-8700
Fax: (626) 961-8779
Email: Costco@Tonusa.Com
Web: www.Tonusa.Com

Hours:
Monday thru Friday
8:30AM 5:30PM (PST)

Princeton Contemporary Bathroom Vanity



Installation Guide

Tools required for installation



Electric drill



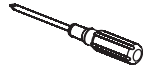
Drill bit
(Φ3&Φ10)



Tape measure
(3m~5m)



Pencil



Screwdriver



Silicone

Parts Included:

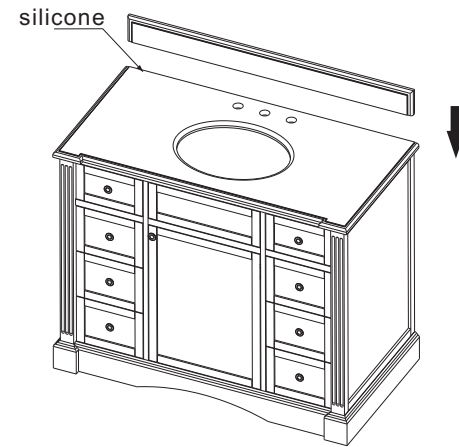
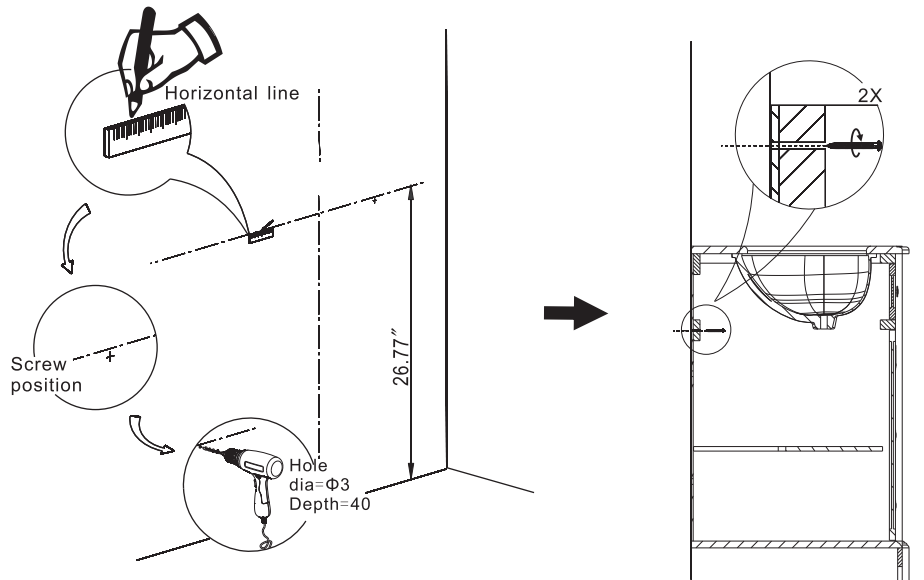


(Screw)

2X

1

2



NOTE: Back splash located at bottom of cabinet.

3

4

