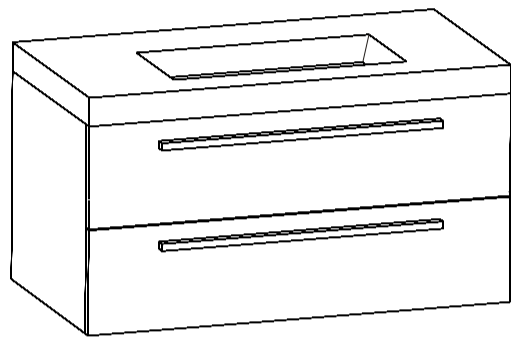
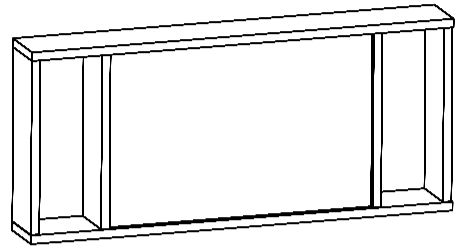
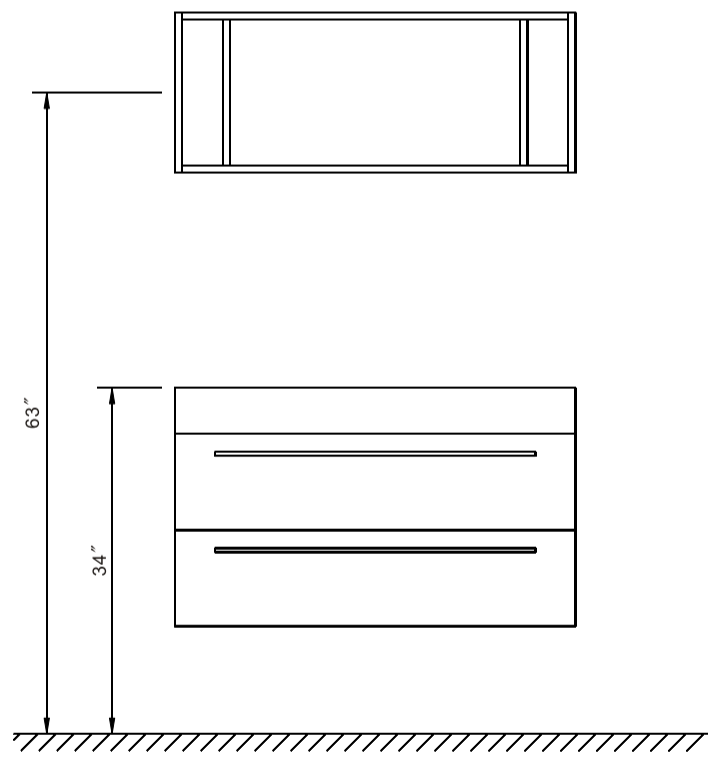


TONUSA

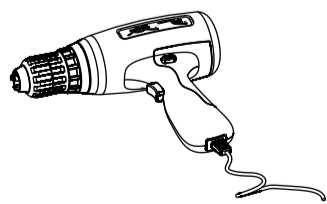
Installation guide



T1000



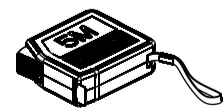
Tools required for installation



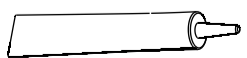
Electric drill



Drill bit
(Φ3)



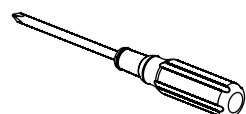
Tape measure
(3m~5m)



Silicone



Pencil

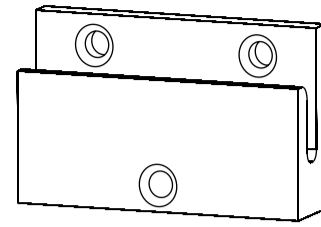


Screwdriver

Mirror

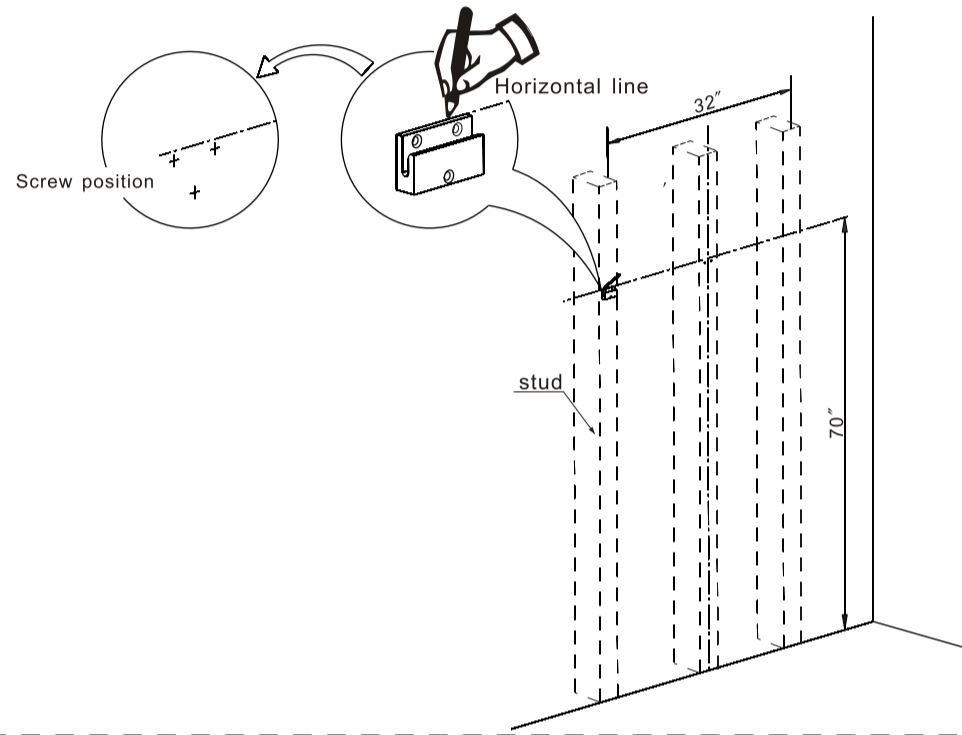


B*6

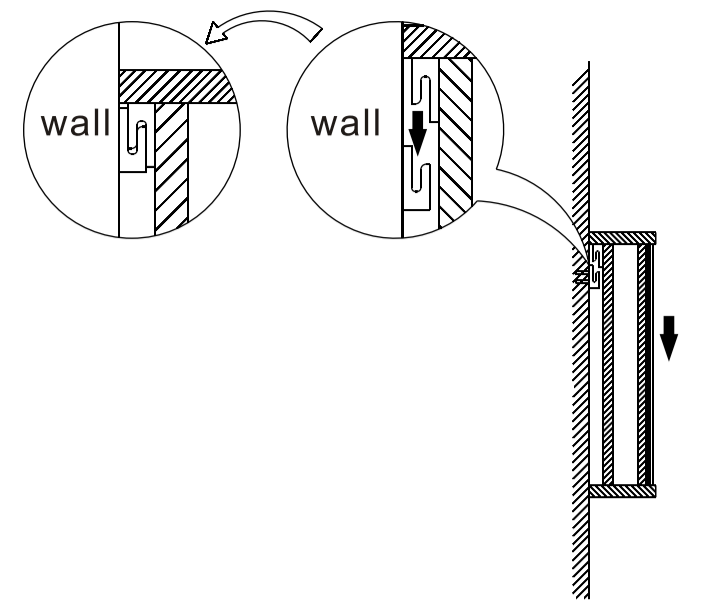


D*2

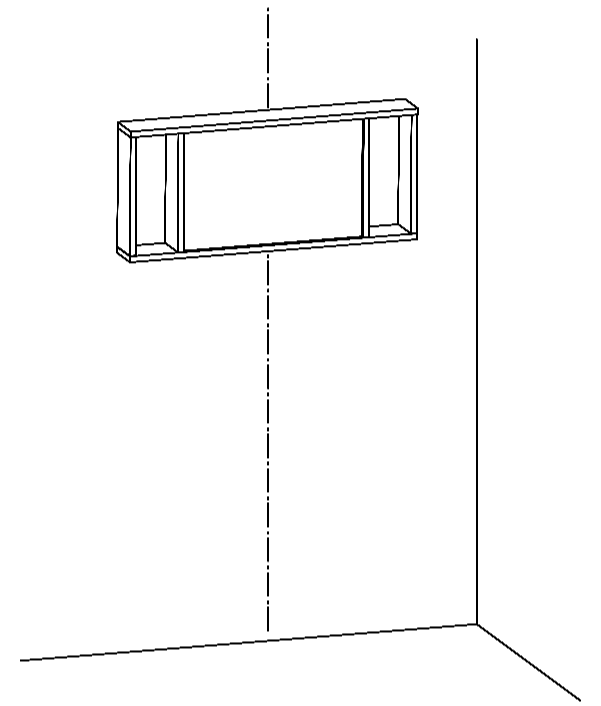
1



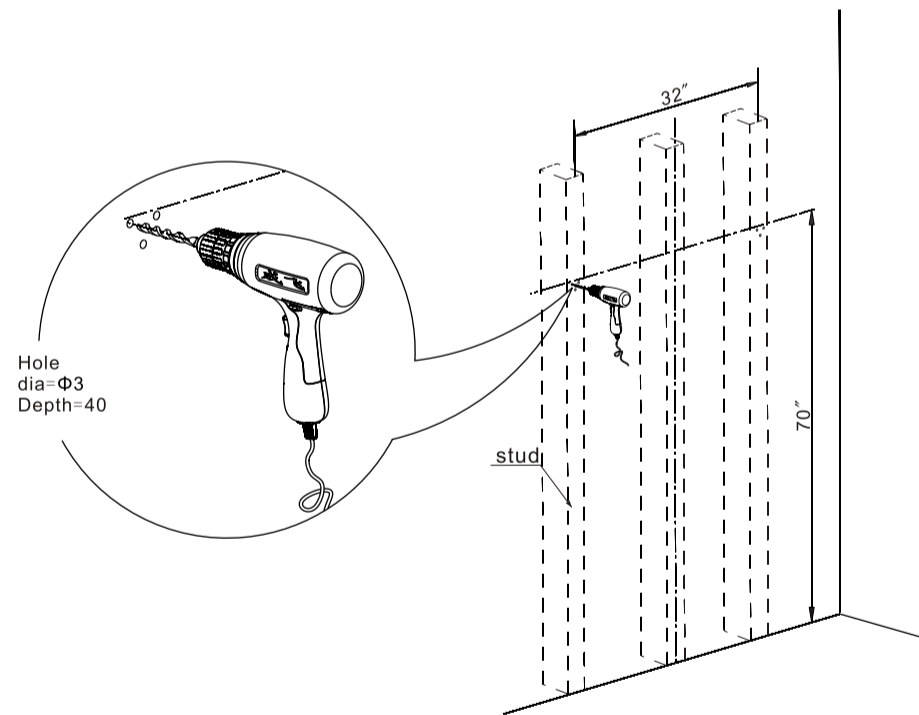
4



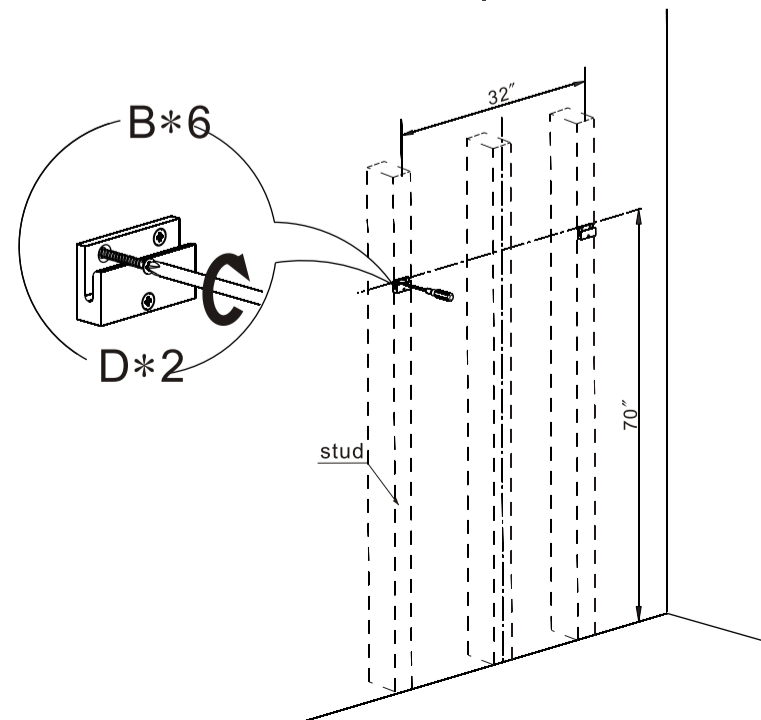
5



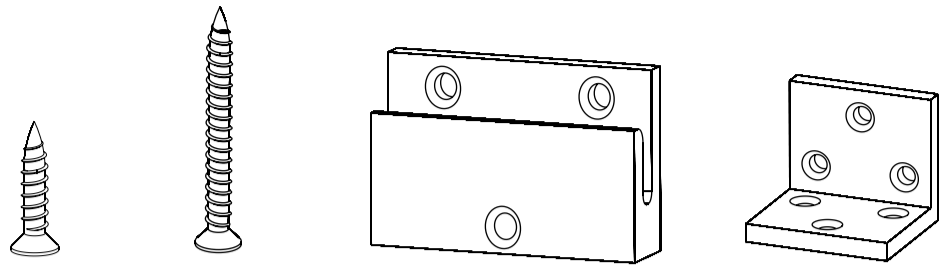
2



3



Cabinet



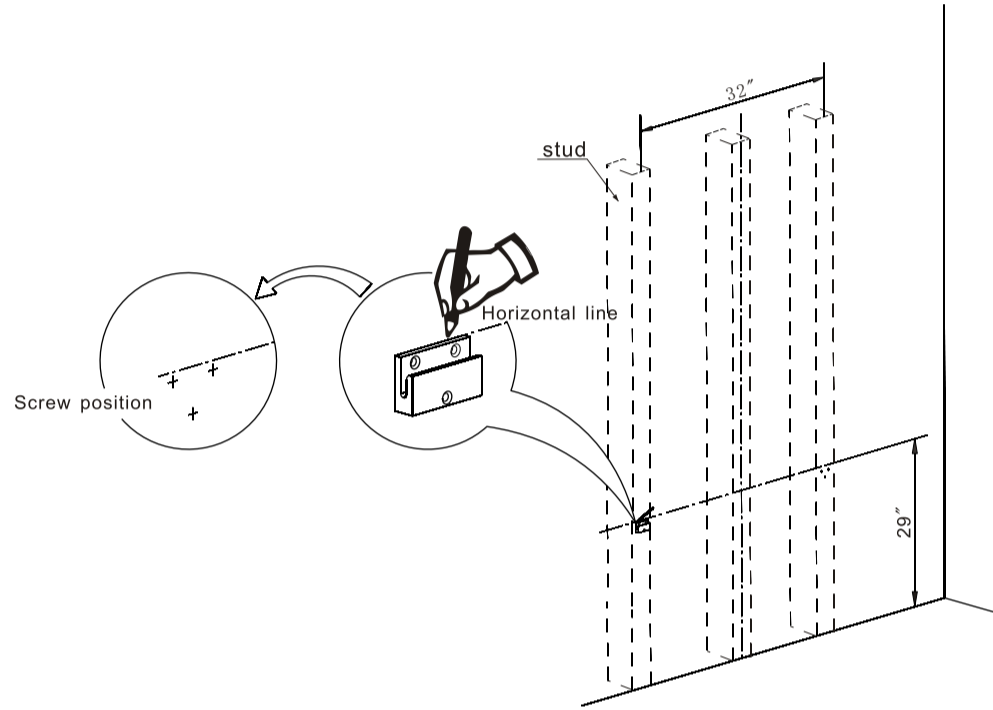
A*6

B*6

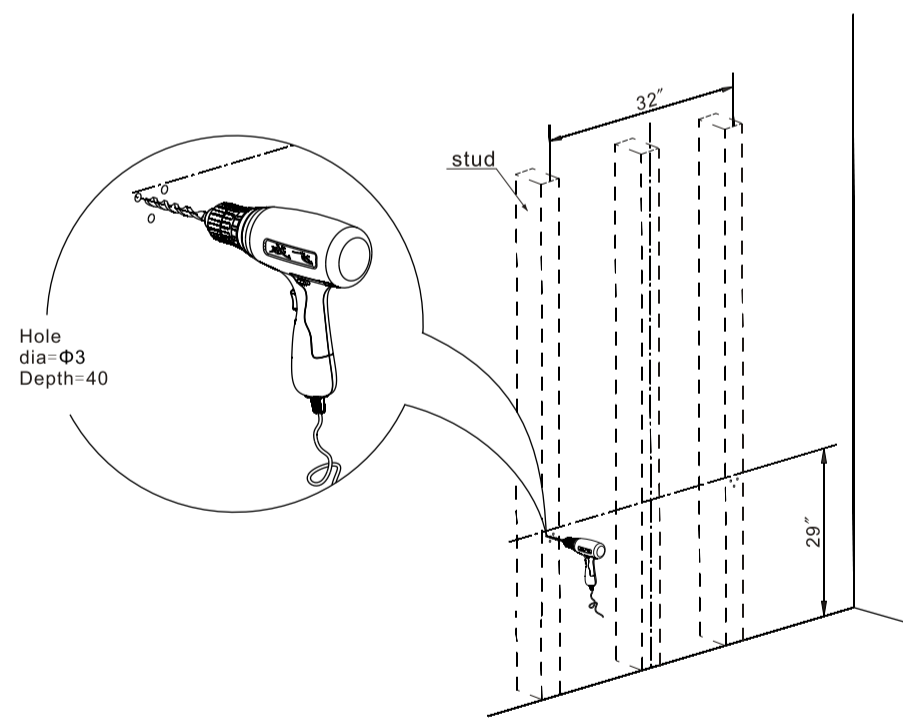
D*2

E*2

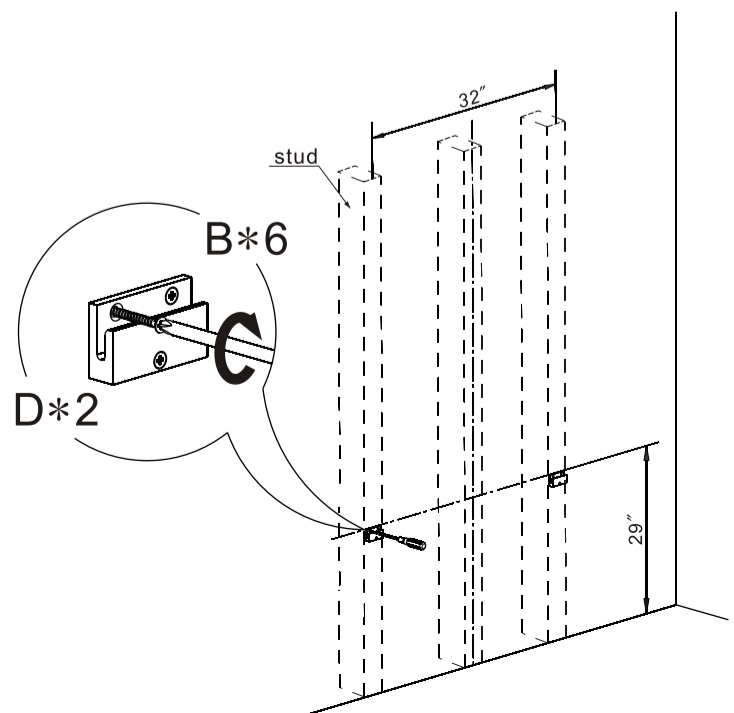
1



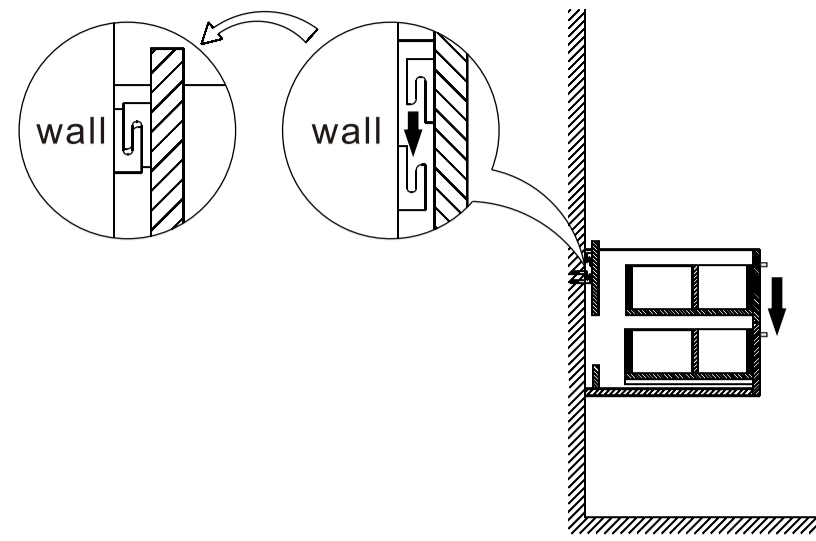
2



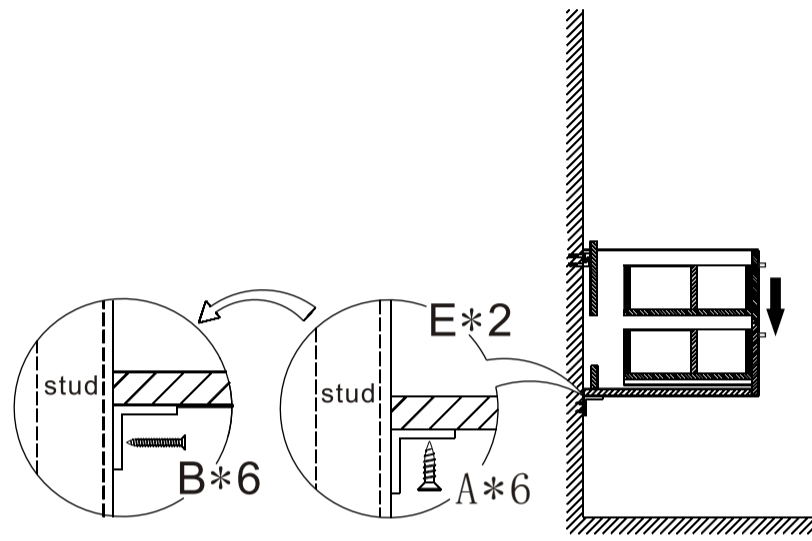
3



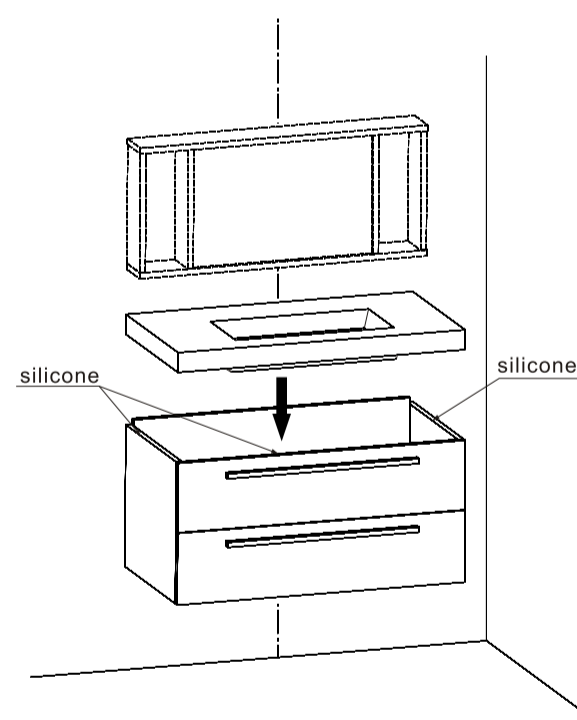
4



5



6



7

