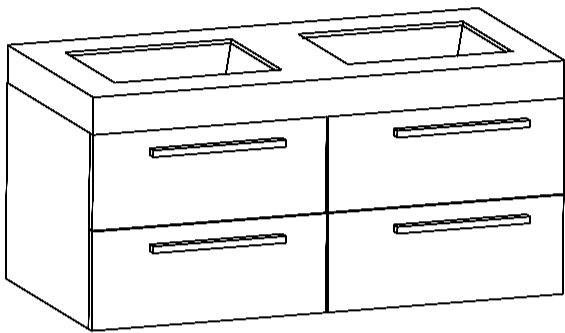
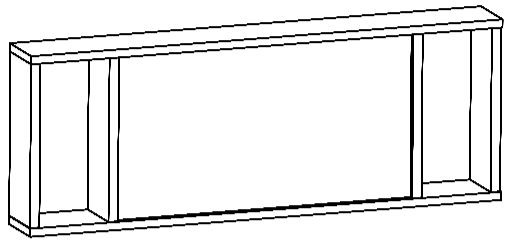
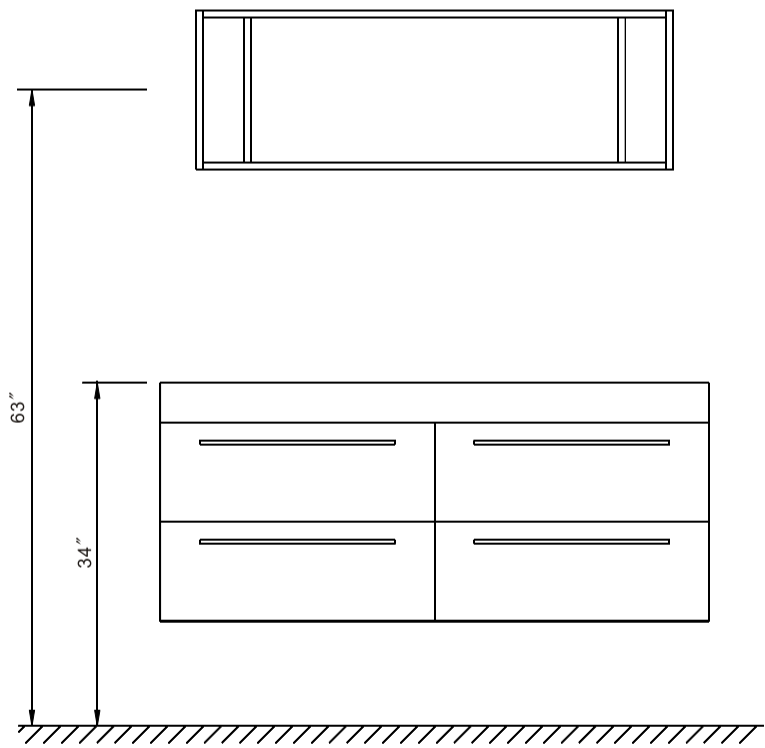


# TONUSA

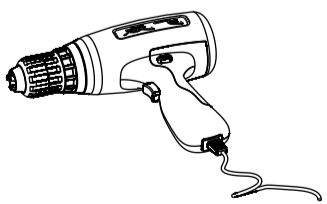
## Installation guide



T1380



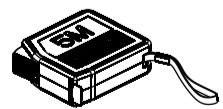
### Tools required for installation



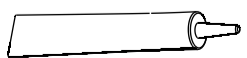
Electric drill



Drill bit  
(Φ3)



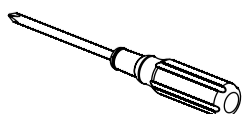
Tape measure  
(3m~5m)



Silicone



Pencil

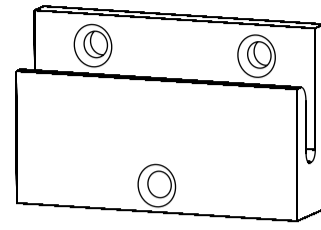


Screwdriver

## Mirror

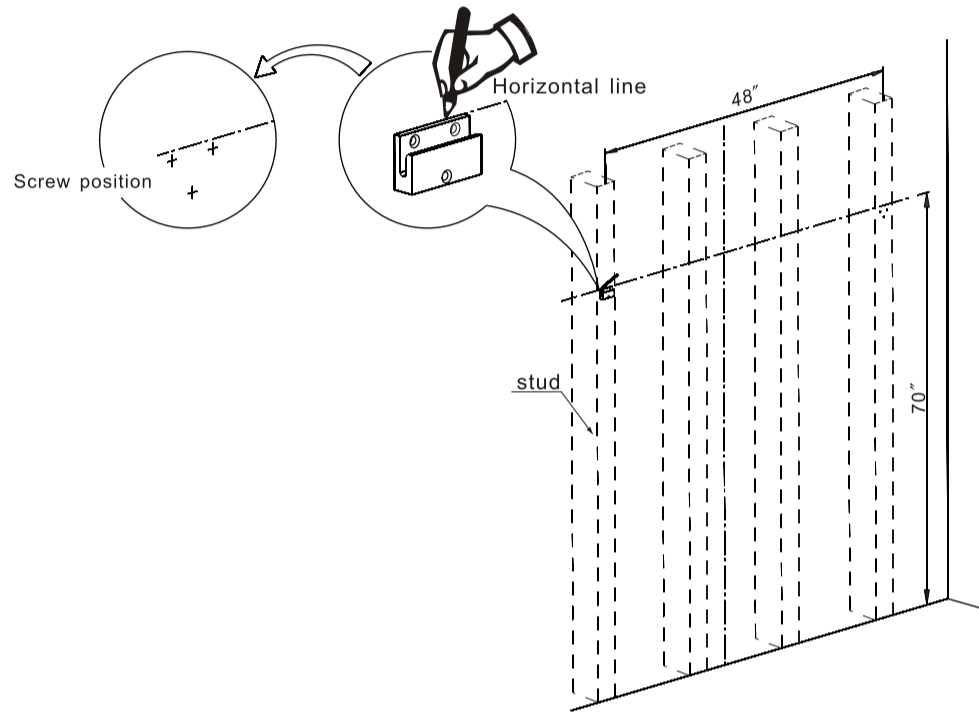


B\*6

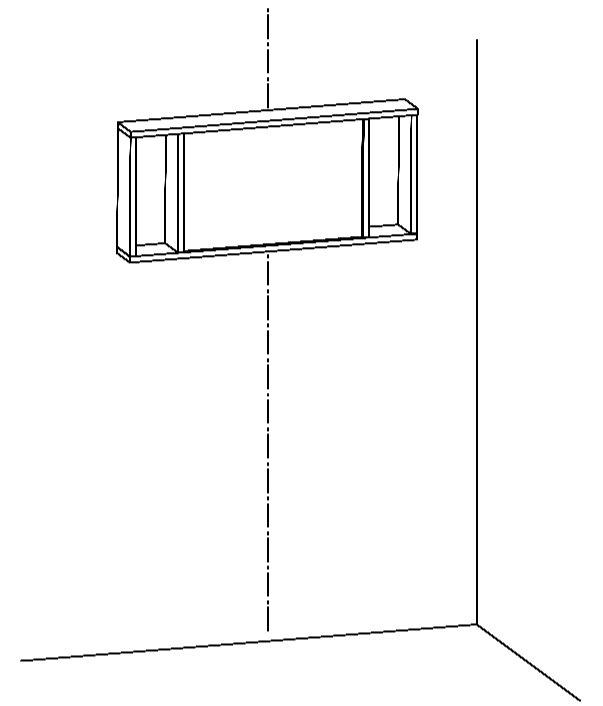


D\*2

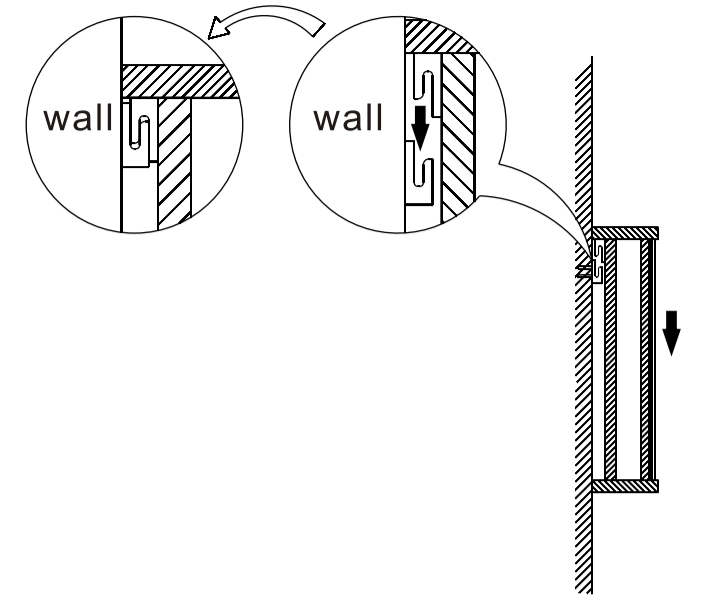
1



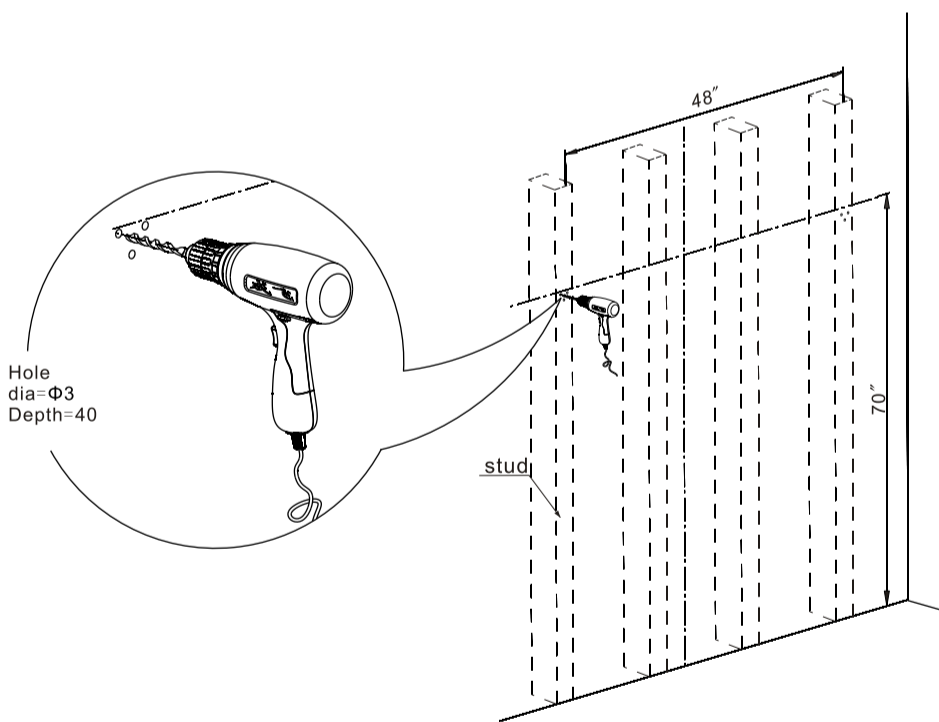
5



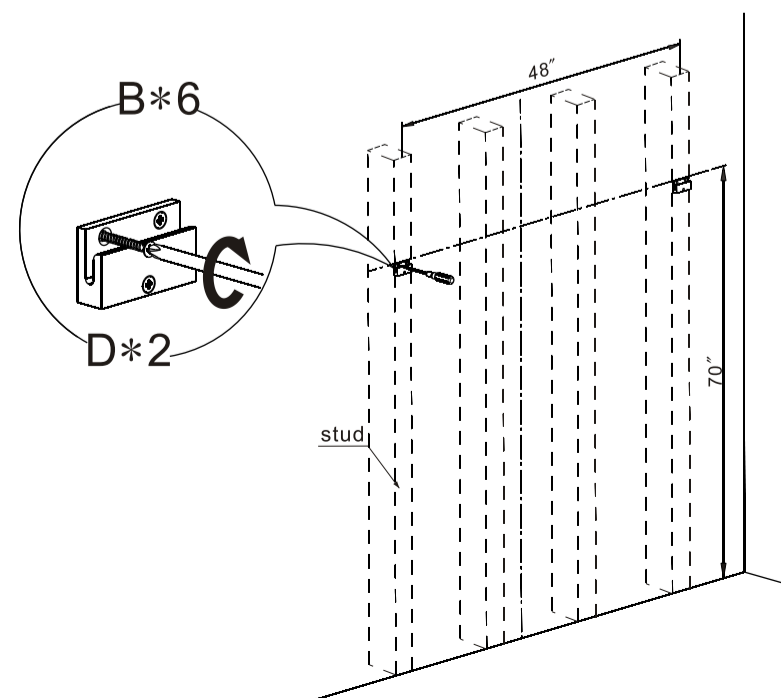
4



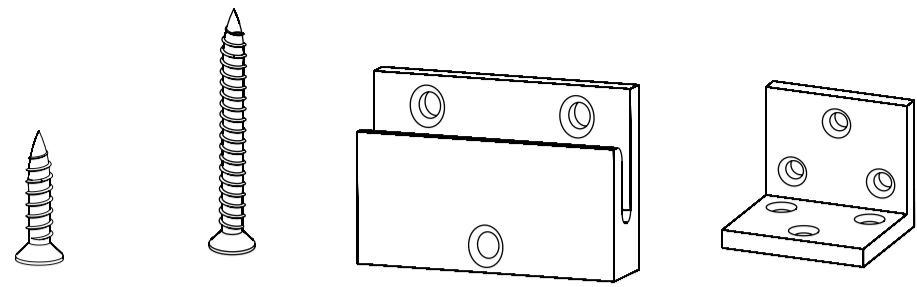
2



3



Cabinet



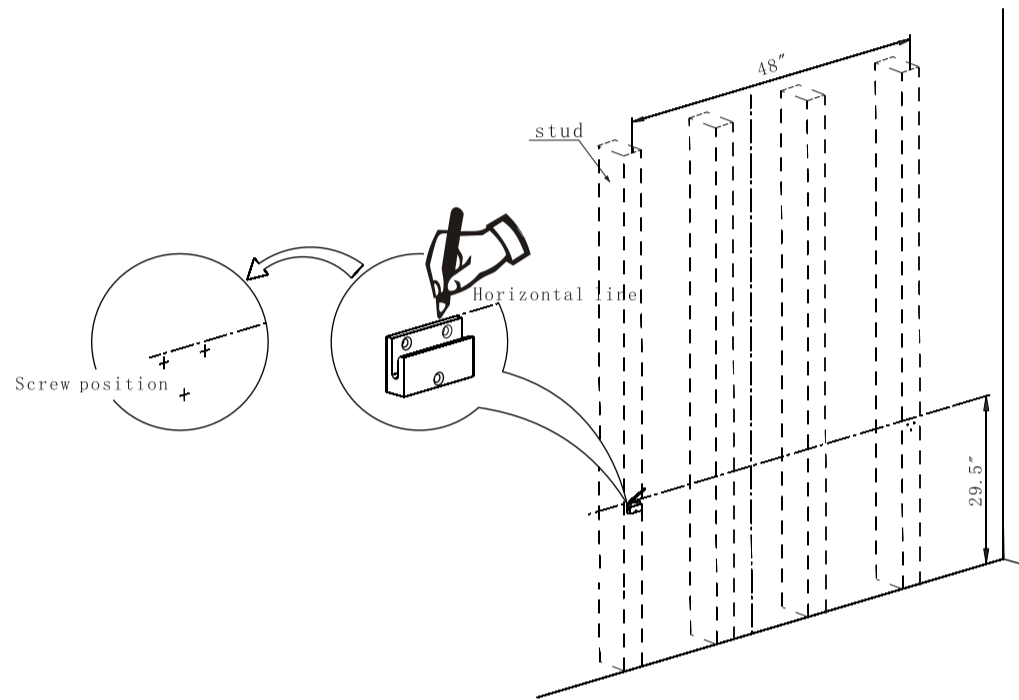
6A

12B

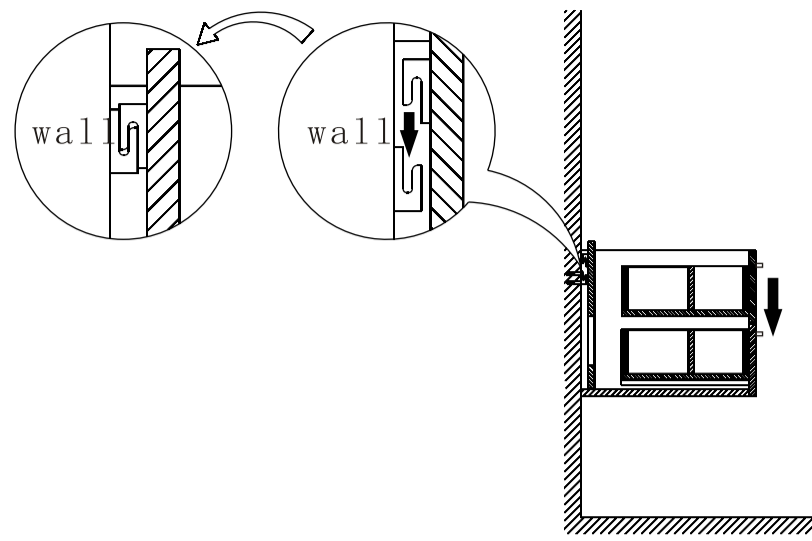
2D

2E

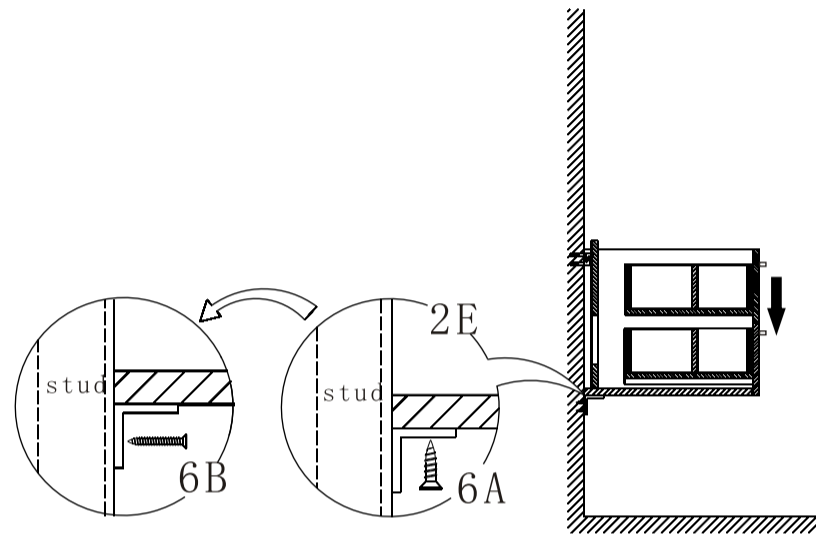
1



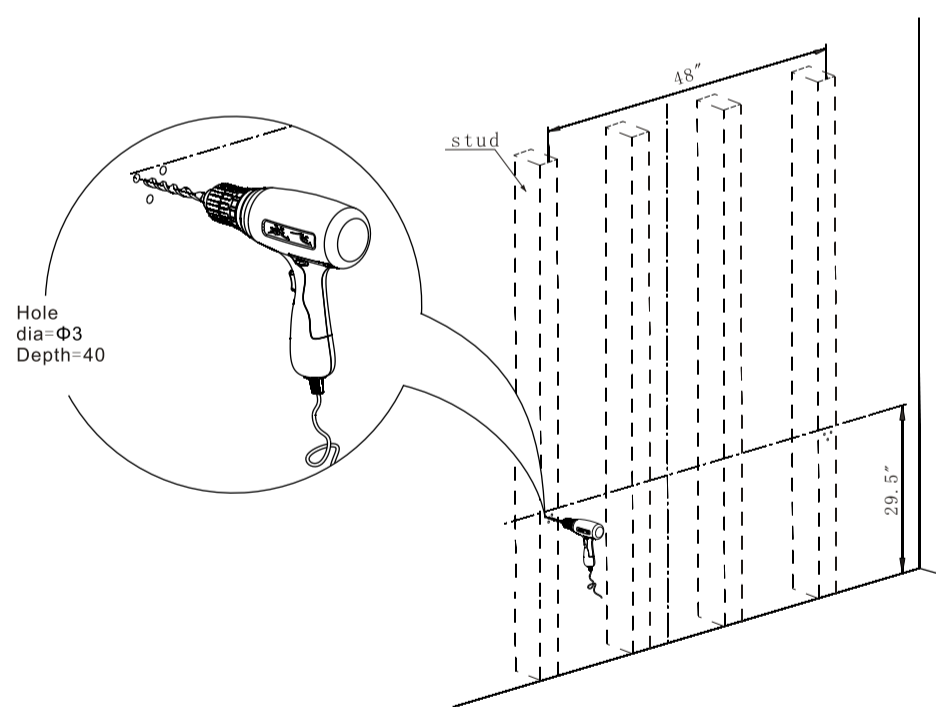
4



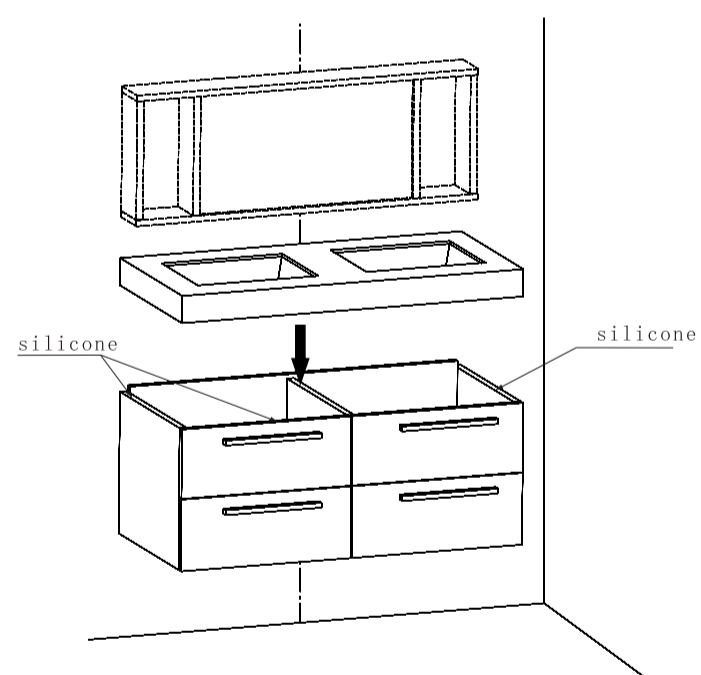
5



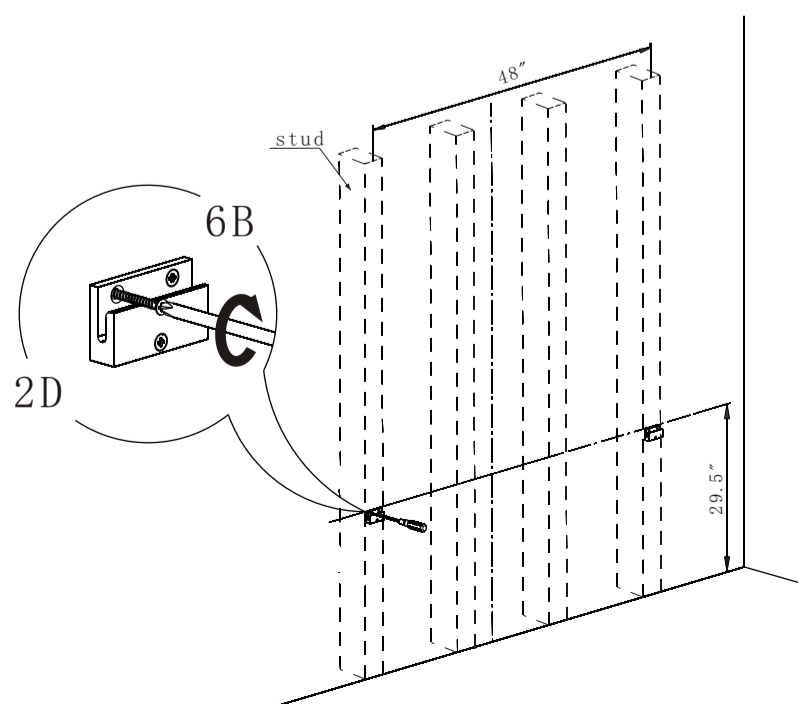
2



6



3



7

