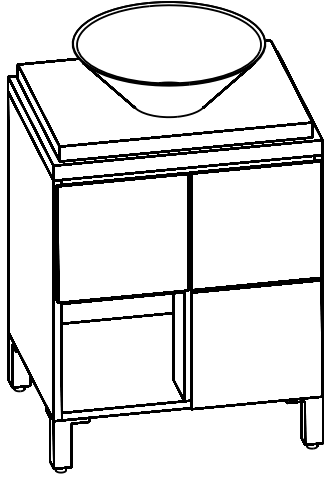


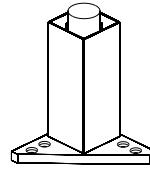
TONUSA

Installation guide



VALORE 800

Cabinet

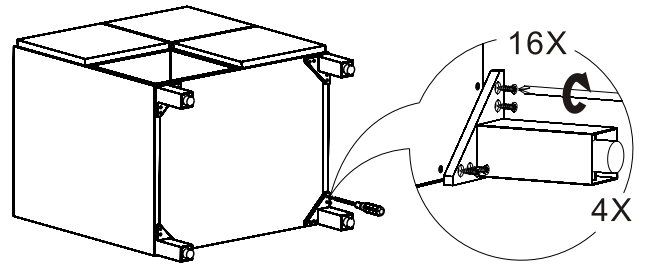
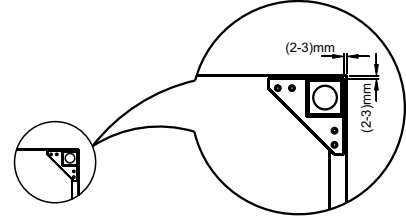


4X



16X

1



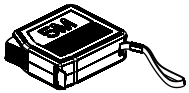
Tools required for installation



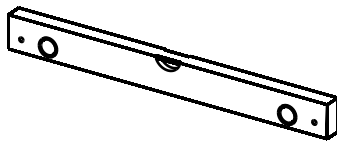
Electric drill



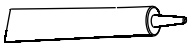
Drill bit
(Φ3)



Tape measure
(3m~5m)



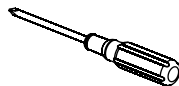
Level



Silicone

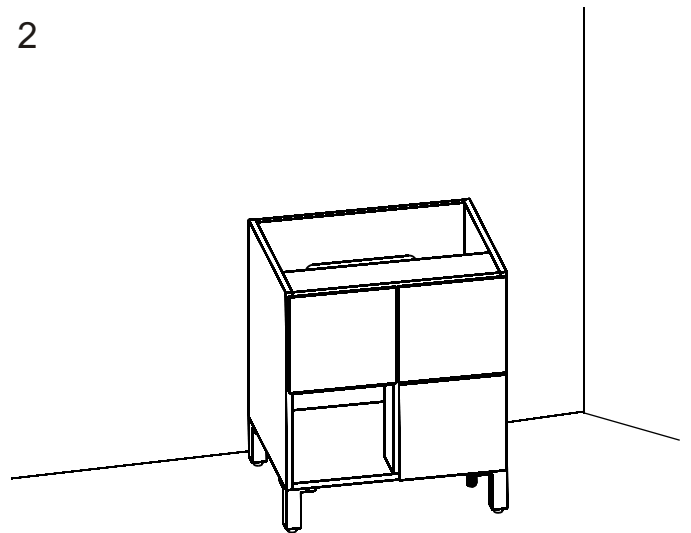


Pencil

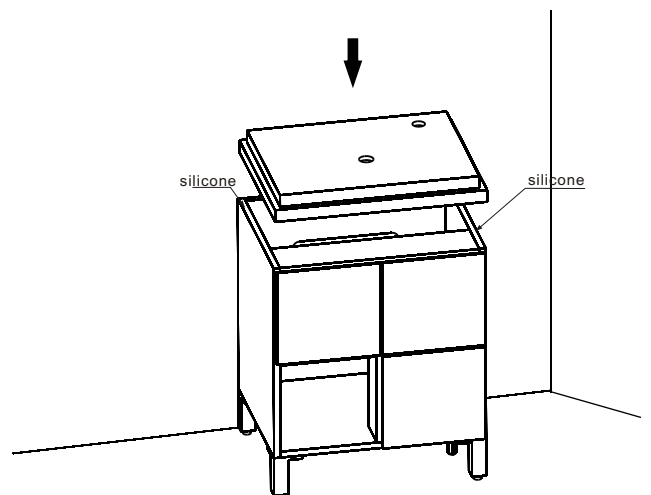


Screwdriver

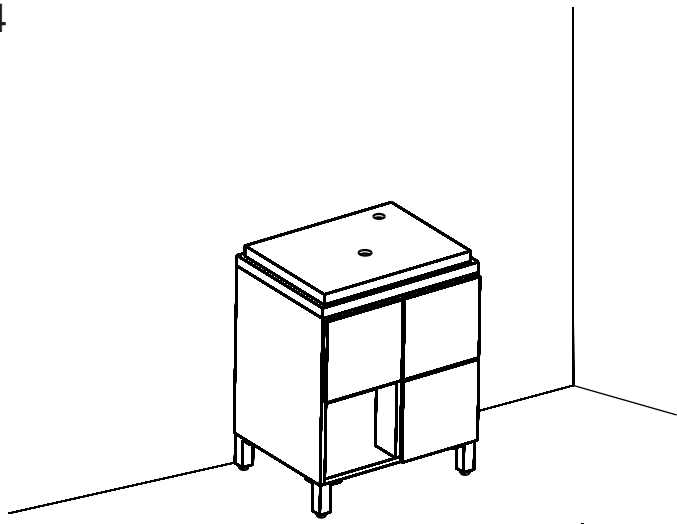
2



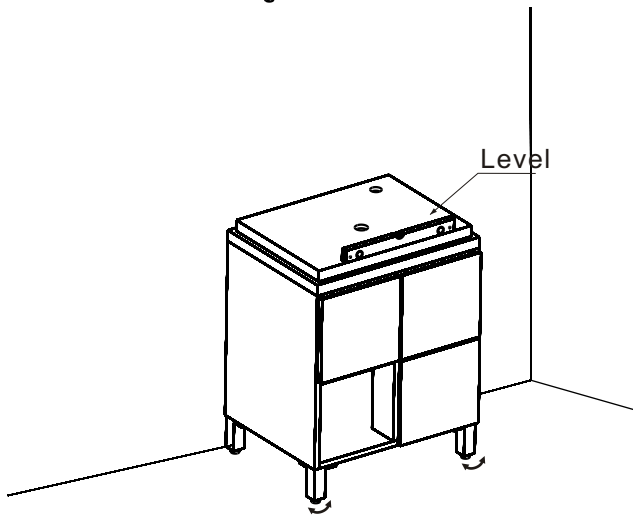
3



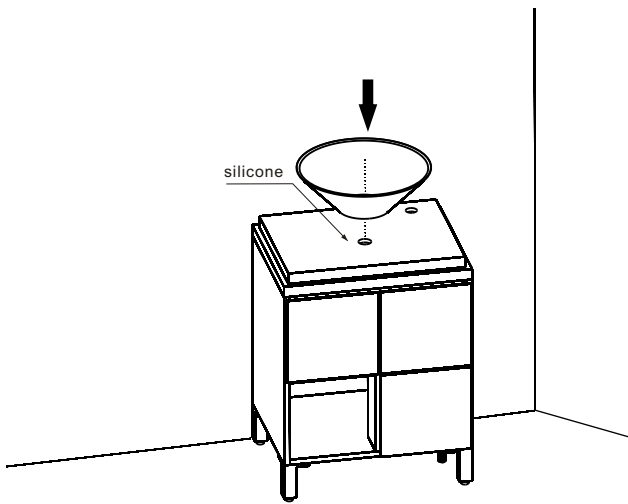
4



5



6



7

