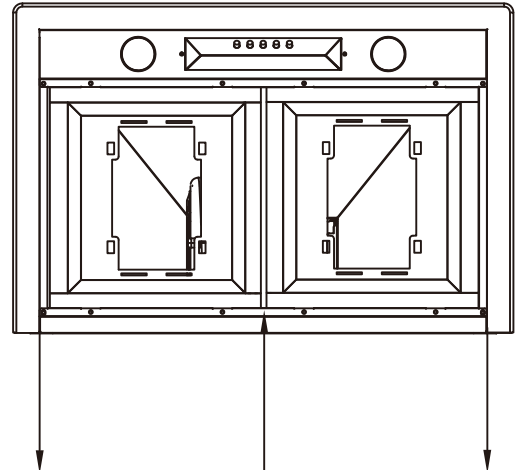
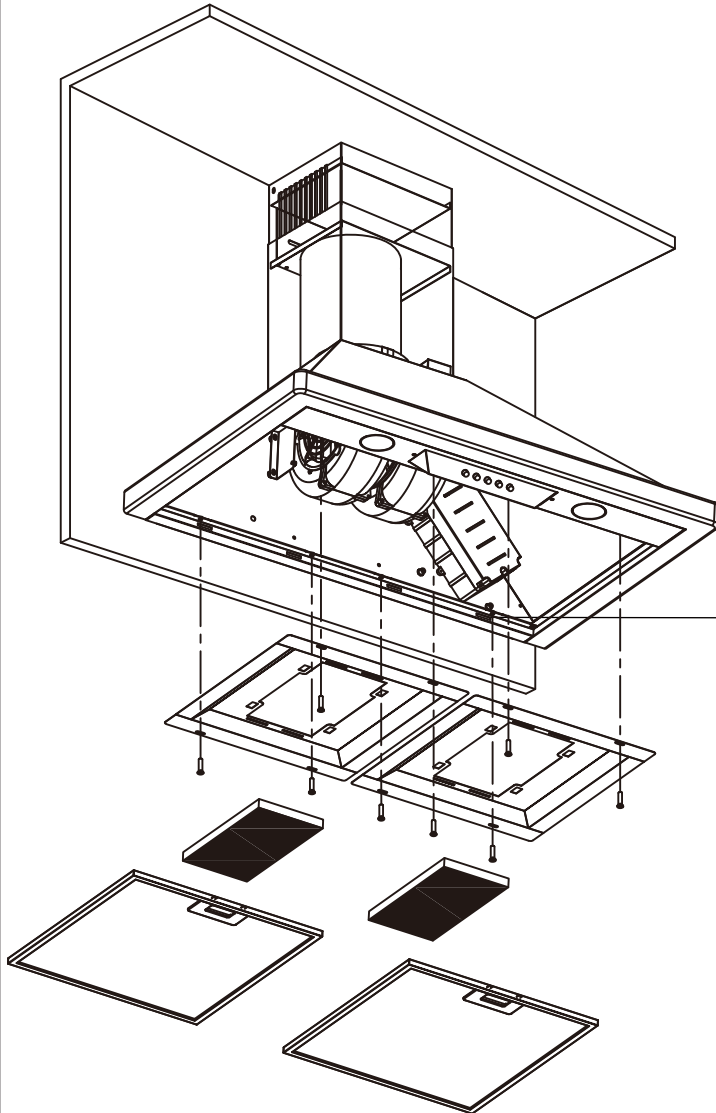


VRC-00SU

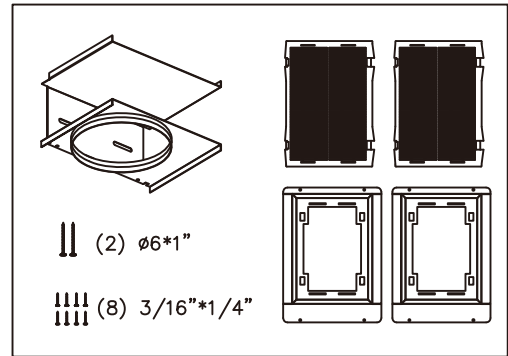
For use with:
VSU-E30AS VSU-E36AS



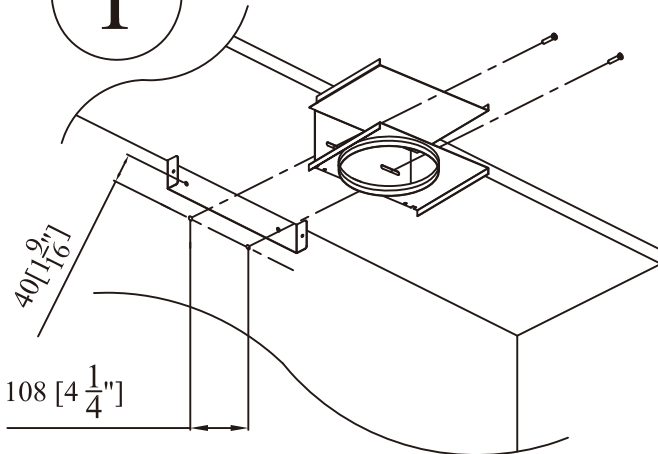
NOTE: Align sides of charcoal filter brackets with inside edge of hood. There should be a gap in the center.

Remove all black foam from filter opening before installing the charcoal filter brackets.

LIST OF MATERIALS



1



2

